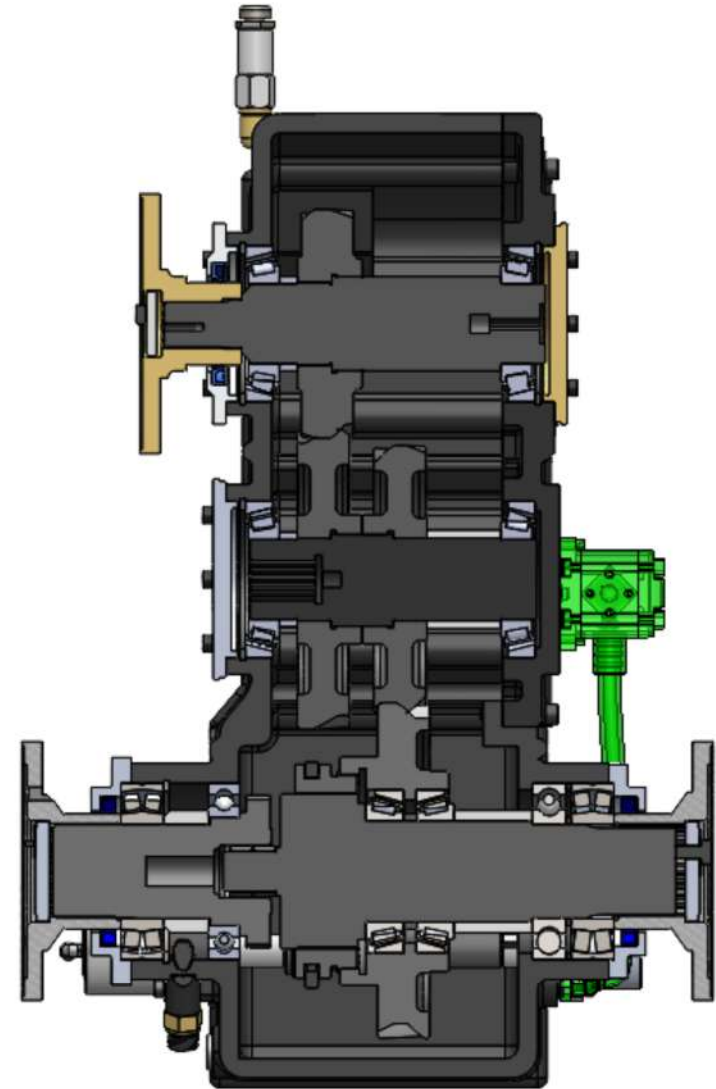
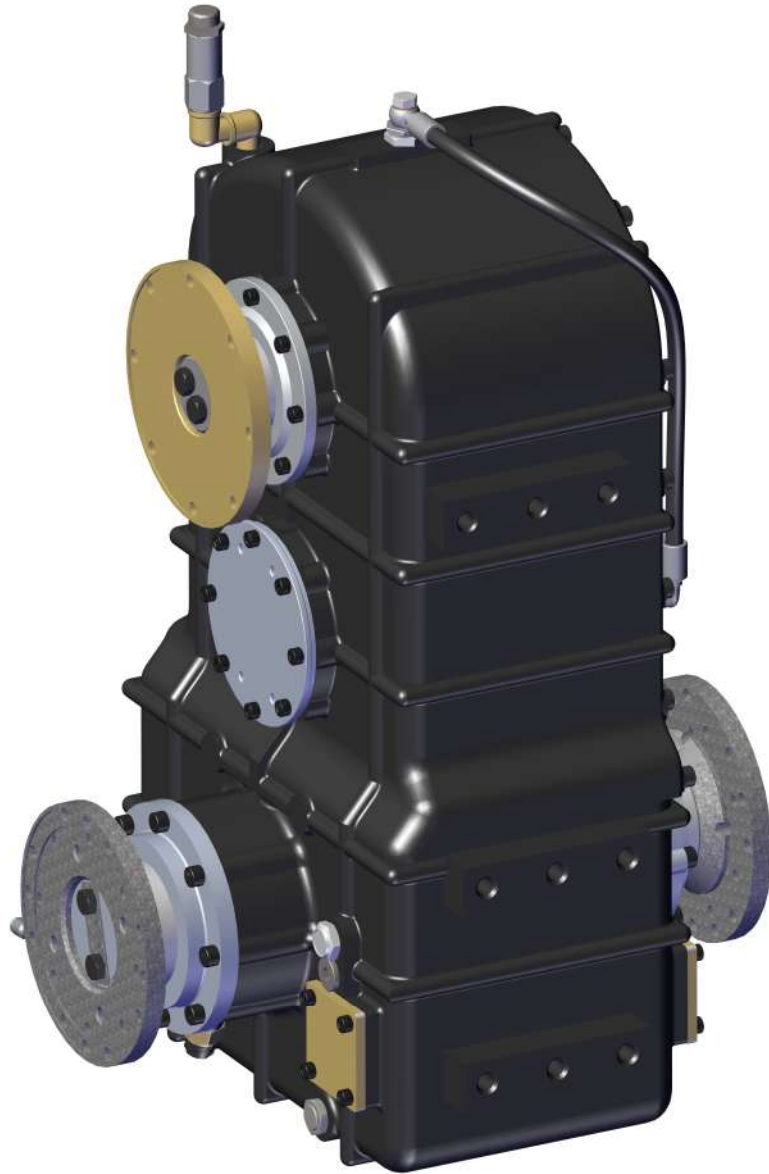
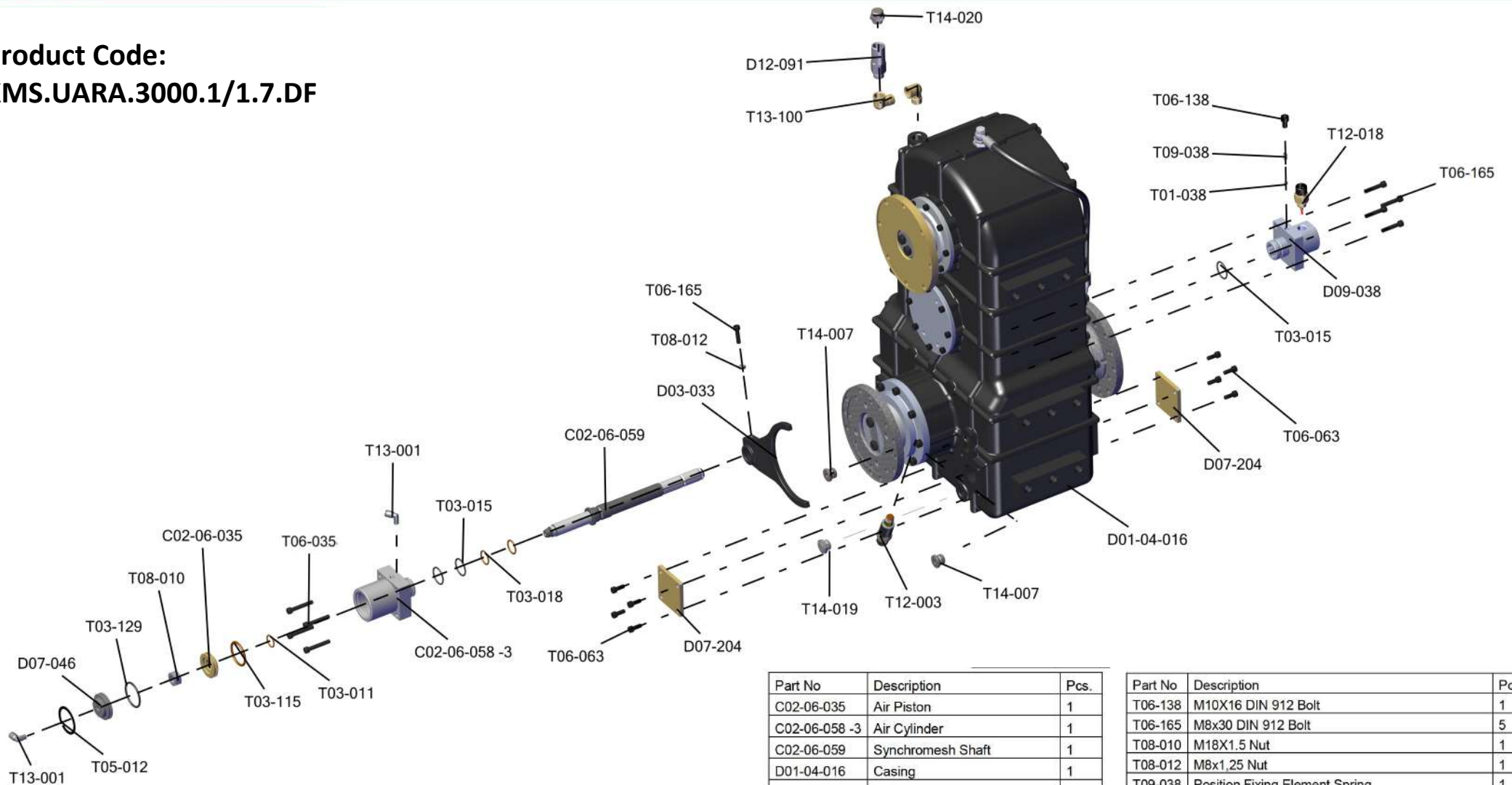


Product Code:
KMS.UARA.3000.1/1.7.DF



Product Code:

KMS.UARA.3000.1/1.7.DF



Part No	Description	Pcs.
C02-06-035	Air Piston	1
C02-06-058 -3	Air Cylinder	1
C02-06-059	Synchromesh Shaft	1
D01-04-016	Casing	1
D03-033	Fork	1
D07-046	Air Cylinder Cap	1
D07-204	Cover	2
D09-038	Synchromesh Shaft Centring	1
D12-091	Air Plug Extension	1
T01-038	Position Fixing Element	1
T03-011	22x2,62 O-ring	1
T03-015	32X3 O-ring	3
T03-018	25X3 O-ring	2
T03-115	44x4.5 O-ring	1
T03-129	47x4 O-ring	1
T05-012	472x55x2 Segment	1
T06-063	M8x20 DIN 912 Bolt	8
T06-035	M8x40 DIN 912 Bolt	4

Part No	Description	Pcs.
T06-138	M10X16 DIN 912 Bolt	1
T06-165	M8x30 DIN 912 Bolt	5
T08-010	M18X1,5 Nut	1
T08-012	M8x1,25 Nut	1
T09-038	Position Fixing Element Spring	1
T12-003	RPM Counter	1
T12-018	Engage - Disengage Sensor	1
T13-001	Fixed end Connection (Teeth R1/8"/Hose 8 mm)	2
T13-100	R1/2" 90° connection adapter	2
T14-007	R 1/2" Plug	2
T14-020	R1/2" Air Plug	1
T14-019	R1/2" Magnetized Plug	1

